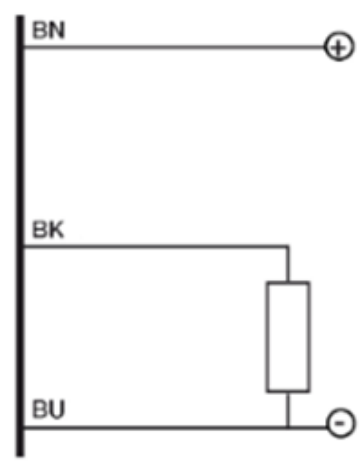
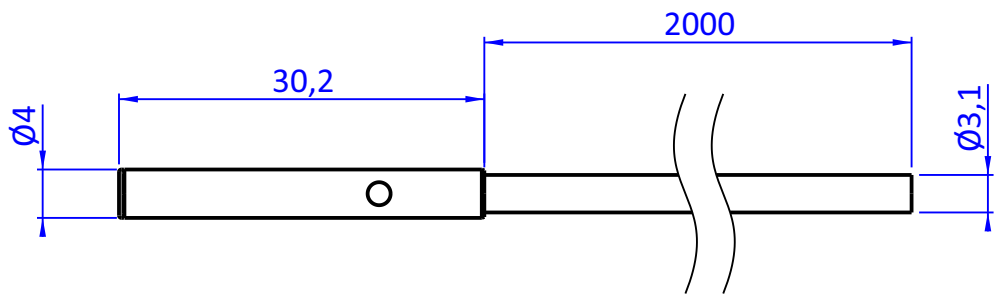

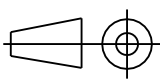


THE PROPERTY OF THE DRAWING IS ESTABLISHED BY LAW. IT IS FORBIDDEN TO PRODUCE OR SHOW IT TO THIRD PART. WITHOUT A WRITTEN AGREEMENT.



Format A4 UNI 936-76	 FPS SERVICES AUTOMATION			DESIGNED FROM		REVIEW
				FPS Automation		A
	GENERAL TOLERANCE			DESCRIPTION		DATE
UNI - ISO 2768		3 WIRES PNP NORMALLY OPEN MT 2 CABLE		12/09/2022	0,030kg	
CLASSE f				CODE		
		MMD.AC1.AP3A				